

# Tiandy



TC-C35LQ Spec:l5W/E/Y/T/6mm/V4.2

# 5MP Thermography Bullet Camera

Pro Series



## KEY FEATURES

- 256 × 192 resolution, 12 μm, Vox
- Temperature exception alarm for fire prevention, -15°C to 550°C ,Max. (± 2°C, ± 2%)
- Max resolution 2880x1620
- Smart IR,IR Range:30m
- Built-In Mic,Built-In Speaker
- Support tripwire and perimeter
- Operating Conditions -35°C~65°C,0~95% RH
- DC12V,POE
- IP67



Tiandy Technologies Co.,Ltd.

Email: sales@tiandy.com

Tel: +86-22-58596065

Website: en.tiandy.com

Fax: +86-22-58596048



## SPECIFICATIONS

Thermal	
Image Sensor	Vanadium Oxide Uncooled Focal Plane Arrays
Resolution	256 × 192
Pixel Pitch	12 μm
Spectral Range	8 μm to 14 μm
Focal Length	6.8mm
NETD	≤ 55 mK (@ 25°C, F# = 1.1)
Aperture	F1.1
Field of View	Horizontal FOV:26°,Vertical FOV:20°
Camera	
Image Sensor	1/2.7" CMOS
Min. Illumination	Color:0.002Lux@(F1.6,AGC ON),B/W:0Lux with IR
Shutter Time	1s to 1/100,000s
Day & Night	Dual IR Cut Filter with Auto Switch
WDR	TWDR
Lens	
Lens Type	Fixed
Focal Length	6mm
Lens Mount	M12
Aperture Range	F1.6
Field of View	Horizontal FOV:53.8° Vertical FOV: 29.3° Diagonal FOV:62.8°
Illuminator	
IR LEDs	2
IR Distance	Up to 50 m
Wavelength	850nm
White LEDs	2,Used for warning
Compression Standard	
Video Compression	S+265/H.265/H.264B/H.264M/H.264H/Motion JPEG
Video Bit Rate	32k~16M
Audio Compression	G.711A/G.711U/ADPCM_D/AAC_LC
Audio Sampling Rate	8kHz/32kHz/48kHz
Image	
Max. Resolution	2880x1620
Main Stream	Thermal: 25 fps(1280 × 720、704 × 576、640 × 480、352x288) Optical: PAL:25fps(2880x1620,2688x1520,2560x1440,2304x1296) NTSC:30fps(2880x1620,2688x1520,2560x1440,2304x1296)
Sub Stream	Thermal:25 fps(352x288) Optical: 25 fps (704 × 576) ;30 fps (704 × 480)
Third Stream	N/A
BLC	Saturation,brightness,contrast,sharpness,adjustable by client software or web browser
HLC	BLC/3D DNR/HLC
AGC	Yes
3D DNR	Yes

# Tiandy

White Balance	Yes
ROI	8 regions
Corridor mode	N/A
EIS	N/A
Picture Overlay	Yes
Privacy Mask	4 regions
Defog	Electronic
<b>Thermal Function</b>	
Thermal Analytics	Tripwire,Perimeter,Double Tripwire,Human&Vehicle Classification,High temperature display,Smoking detection
Temperature Range	-15.0°~150.0°、50.0°~550.0°、Auto
Temperature Accuracy	Max. (± 2°C, ± 2%)
Temperature Measurement	3 temperature measurement rule types, (points, areas, line free combination,Max 12 species)
<b>Feature</b>	
Alarm Trigger	Motion Detection,Mask Alarm,IP Address Conflict,Disk Full,Disk R/W Error
Video Analytics	Tripwire,Perimeter,Double Tripwire,Human&Vehicle Classification
Rules of behavior analyse in 1 scene	8
Early Warning(EW)	Yes
Linkage Method	trigger recording;trigger capture; send email;trigger sound;trigger warmlight;notify surveillance center
<b>Network</b>	
ANR	Yes
Protocols	HTTP,HTTPS,TCP/IP,UDP,UPnP,ICMP,IGMP,SNMP,DHCP,DNS,DDNS,EasyDDNS,NTP,SMTP,SSL,802.1X,QoS,IPv4,IPv6,PPPOE,SSH,SRTP,RTSP
System Compatibility	ONVIF(PROFILE S/T/G),SDK,CGI,Milestone
Remote Connection	3
Client	Easy7
Moblie Client	EasyLive Plus
Web Version	IE/Firefox/Edge/Safari/Chrome
<b>Interface</b>	
Communication Interface	1 RJ45 10M/ 100M self adaptive Ethernet port
Audio I/O	1/1
Alarm I/O	2/1
Built-In Mic	Yes
Built-In Speaker	Yes
Reset Button	Yes
On-board storage	Yes,512G
Additional interfaces	RS485
<b>General</b>	
Web Client Language	18 languages English,Russian,Spanish,Korean,Italian,Turkish,Simple Chinese,Traditional Chinese,Thai,French,Polish,Dutch,Hebrew,Arabic,Vietnamese,German,Ukrainian,Portuguese
Operating Conditions	-35°C~65°C,0~95% RH
Storage Conditions	-35°C~65°C,0~95% RH
Power Supply	DC12V±25%;PoE (802.3af)
Power Consumption	MAX:9W(POE)

# Tiandy

<b>Protection</b>	IP67
<b>Boundary Dimensions</b>	758(L)370(W)350(H)mm
<b>Package Dimensions</b>	355(L)145(W)160(H)mm
<b>GrossWeight</b>	1.8kg
<b>NetWeight</b>	1.5kg
<b>Housing</b>	Bullet

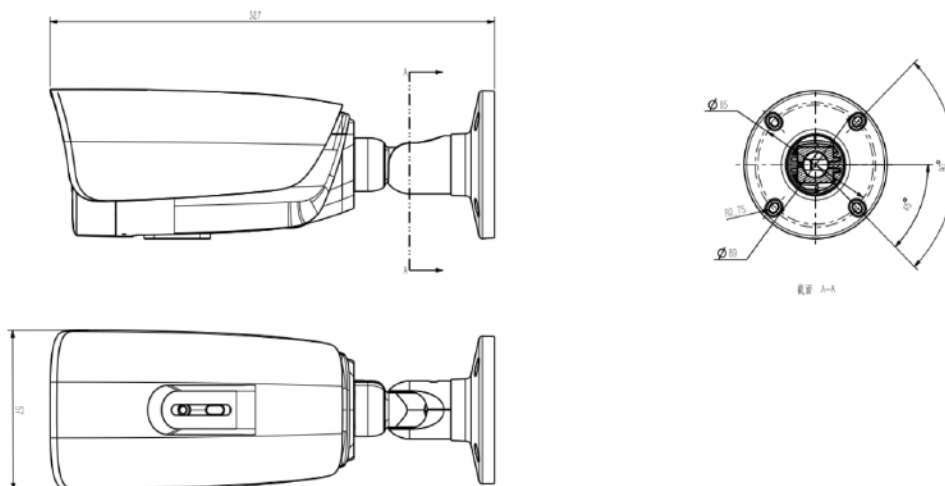
\* Listed resolutions are only selectable options. It does not mean that all streams can work at their maximum resolution at the same time.

# Tiandy

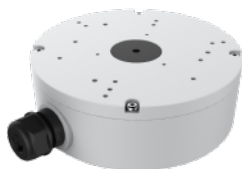
## AVAILABLE MODEL

TC-C35LQ Spec:I5W/E/Y/T/6mm/V4.2

## DIMENSIONS (Unit: mm)



## ACCESSORIES



A22



A35\_V5.0



A36\_V5.0

DISTRIBUTED BY



Tiandy Technologies Co.,Ltd.

Email: sales@tiandy.com

Tel: +86-22-58596065

Website: en.tiandy.com

Fax: +86-22-58596048